

Technical data sheet



Product features

Cooling counter GN 1/1 2x door

Model	SAP Code	00003805
--------------	-----------------	----------



- Material: Stainless steel
- GN / EN size in device: GN 1/1
- Number of GN / EN: 2
- Number of doors: 2
- Control type: Digital
- Minimum device temperature [°C]: -2
- Maximum device temperature [°C]: 8
- Insulation thickness [mm]: 60
- Unit: Right

SAP Code	00003805	Energy class	C
Net Width [mm]	1342	Number of doors	2
Net Depth [mm]	700	Number of GN / EN	2
Net Height [mm]	850	GN / EN size in device	GN 1/1
Net Weight [kg]	92.00	Minimum device temperature [°C]	-2
Power electric [kW]	0.247	Maximum device temperature [°C]	8
Loading	230 V / 1N - 50 Hz	Refrigerant	R290

Technical data sheet



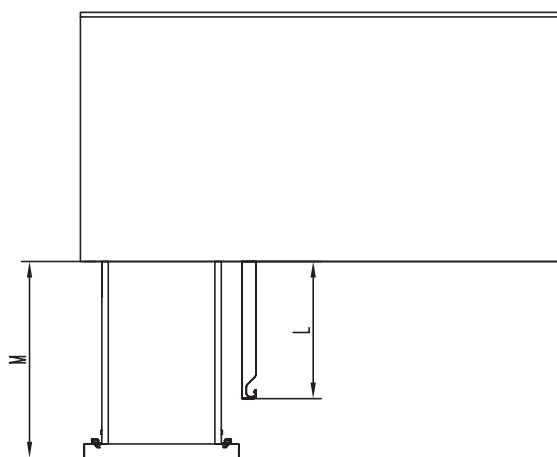
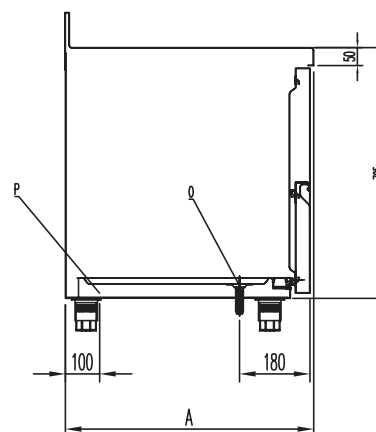
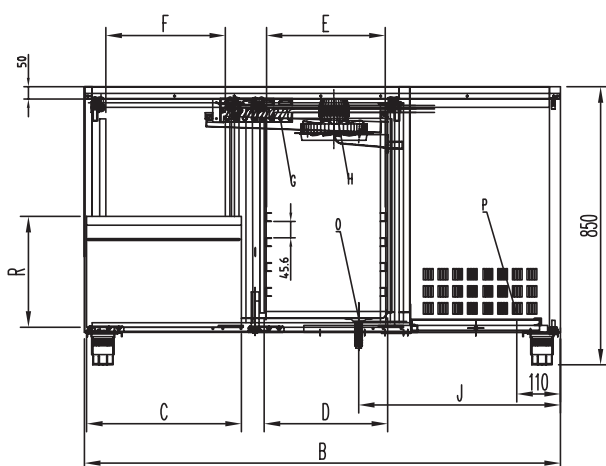
Technical drawing

Cooling counter GN 1/1 2x door

Model

SAP Code

00003805



P - Elektrina
O - Odpad
G - Výparník
H - ventilátor

Model	A	B	C	D	E	F	J	L	M	R
RT 2D	700	1342	435	335	325	336	590	385	597	311
RT 3D	700	1792	435	335	325	336	590	385	598	311

Technical data sheet



Product benefits

Cooling counter GN 1/1 2x door

Model

SAP Code

00003805

1

Insulation 50 mm

minimal heat loss

- saving electricity
- less wear and tear on the compressor due to less frequent switching

2

Socket block

1/2+1/2 drawers can be placed instead of doors

- more efficient food storage and less heat leakage

3

Boiled sink

possibility to install a hygienic sink above the unit

- making the working environment more efficient, ensuring hygiene regulations

Technical data sheet



Technical parameters

Cooling counter GN 1/1 2x door

Model

SAP Code

00003805

1. SAP Code:

00003805

2. Net Width [mm]:

1342

3. Net Depth [mm]:

700

4. Net Height [mm]:

850

5. Net Weight [kg]:

92.00

6. Gross Width [mm]:

1420

7. Gross depth [mm]:

820

8. Gross Height [mm]:

1085

9. Gross Weight [kg]:

105.00

10. Device type:

Electric unit

11. Power electric [kW]:

0.247

12. Loading:

230 V / 1N - 50 Hz

13. Energy class:

C

14. Refrigerant:

R290

15. Cooling type:

Dinamic

16. Material:

Stainless steel

17. Device properties 2:

Cooling

18. GN / EN size in device:

GN 1/1

19. Number of GN / EN:

2

20. Adjustable feet:

Yes

21. Insulation thickness [mm]:

60

22. Number of doors:

2

23. Unit:

Right

24. Control type:

Digital

25. HACCP:

Yes

26. Minimum device temperature [°C]:

-2

27. Maximum device temperature [°C]:

8